

DS-2XE6885G0-(I)(L)Z(H)(S) 8 MP Explosion-Proof Network Bullet Camera



- Up to 8 MP high resolution
- 2.8 to 12 mm and 8 to 32 mm lens optional
- 120dB Wide Dynamic Range
- H.265, H.265+, H.264, H.264+
- Support on-board storage, up to 256GB

- ATEX: Ex II 2 G D Ex db IIC T6 Gb/Ex tb IIIC T80°C Db IP68
- IECEx: Ex db IIC T6 Gb/Ex tb IIIC T80°C Db IP68
- UL: Class I, Zone 1, AEx db IIC T6 Zone 21, AEx tb IIIC T80°C Ex db IIC T6 Gb X Ex tb IIIC T80°C Db X




Specifications

Camera	
Image Sensor	1/2" Progressive Scan CMOS
Min. Illumination	Color: 0.009 Lux @ (F1.2, AGC ON), B/W: 0.0009 Lux @ (F1.2, AGC ON), 0 Lux with IR
Shutter Speed	1s to 1/100,000 s
Slow Shutter	Yes
Day & Night	IR Cut Filter
WDR	120 dB
Lens	
Lens Type	Varifocal lens, 2.8 to 12 mm and 8 to 32 mm lens
Auto-Iris	DC drive
Aperture	2.8 to 12 mm: F1.4 8 to 32 mm: F1.7, constant F1.7 throughout the zoom range
Focus	Auto, semi-auto, manual
FOV	2.8 to 12 mm, horizontal FOV 112° to 41°, vertical FOV 58° to 23°, diagonal FOV 137° to 47°; 8 to 32 mm, horizontal FOV 42° to 15°, vertical FOV 23° to 8°, diagonal FOV 49° to 17°
Lens Mount	Integrated
DORI	
DORI	2.8 to 12 mm: D: 218 m, O: 86.5 m, R: 43.6 m, I: 21.8 m 8 to 32 mm: D: 580 m, O: 230.2 m, R: 116 m, I: 58 m
Illuminator	
Range	-I model: up to 100 m IR range -L model: up to 30 m whitelight range
Wavelength	-I model: 850 nm
Video	
Max. Resolution	3840 × 2160
Video Streams	5 defined streams
Main Stream	50Hz: 25fps (3840 × 2160, 3072 × 1728, 2560 × 1440, 1920 × 1080, 1280 × 720); 60Hz: 30fps (3840 × 2160, 3072 × 1728, 2560 × 1440, 1920 × 1080, 1280 × 720)
Sub-Stream	50Hz: 25fps (704 × 576, 640 × 480); 60Hz: 30fps (704 × 480, 640 × 480)
Third Stream	50Hz: 25fps (1920 × 1080, 1280 × 720, 704 × 576, 640 × 480); 60Hz: 30fps (1920 × 1080, 1280 × 720, 704 × 480, 640 × 480)
Fourth Stream	50Hz: 25fps (704 × 576, 640 × 480); 60Hz: 30fps (704 × 480, 640 × 480)
Fifth Stream	50Hz: 25fps (704 × 576, 640 × 480); 60Hz: 30fps (704 × 480, 640 × 480)
Video Compression	Main stream: H.265+/H.265/H.264+/H.264 Sub stream: H.265/H.264/MJPEG Third stream: H.265/H.264/MJPEG Fourth stream: H.265/H.264/MJPEG Fifth stream: H.265/H.264/MJPEG
H.264 Type	Baseline Profile/Main Profile/High Profile

H.264+	Main stream supports
H.265 Type	Main Profile
H.265+	Main stream supports
Video Bit Rate	32 Kbps to 16 Mbps
SVC	H.265 and H.264 support
Audio (-S)	
Audio Compression	G.711/G.722.1/G.726/MP2L2/PCM
Audio Bit Rate	64Kbps(G.711)/16Kbps(G.722.1)/16Kbps(G.726)/32-192Kbps(MP2L2)
Environment Noise Filtering	Yes
Audio Sampling Rate	8kHz/16kHz/32kHz/44.1kHz/48kHz
Smart Feature-Set	
Smart Event	Line crossing detection, up to 4 lines configurable Intrusion detection, up to 4 regions configurable Region entrance detection, up to 4 regions configurable Region exiting detection, up to 4 regions configurable Unattended baggage detection, up to 4 regions configurable Object removal detection, up to 4 regions configurable Scene change detection, audio exception detection (-S model), defocus detection
Basic Event	Motion detection, video tampering alarm, exception (network disconnected, IP address conflict, illegal login, HDD full, HDD error)
Face Capture	Detects up to 40 faces
Hard Hat Detection	Detects up to 30 human targets simultaneously Supports up to 4 shield regions
Linkage Method	Upload to FTP/NAS/memory card, notify surveillance center, send email, trigger alarm output (-S model), trigger recording, trigger capture
Region of Interest	4 fixed regions for main stream, sub stream, and third stream, and dynamic face tracking
Image	
Image Enhancement	BLC, HLC, Defog, EIS, Distortion Correction, 3D DNR
Image Settings	Saturation, brightness, contrast, sharpness, AGC, and white balance are adjustable by client software or web browser
Target Cropping	Yes
Day/Night Switch	Day/Night/Auto/Schedule/Triggered by alarm in (-S)
Picture Overlay	LOGO picture can be overlaid on video with 128 × 128 24bit bmp format
Network	
Network Storage	Support microSD/SDHC/SDXC card (256 G), local storage and NAS (NFS,SMB/CIFS), ANR Together with high-end Hikvision memory card, memory card encryption and health detection are supported.
Protocols	TCP/IP, ICMP, HTTP, HTTPS, FTP, DHCP, DNS, DDNS, RTP, RTSP, RTCP, PPPoE, NTP, UPnP, SMTP, SNMP, IGMP, 802.1X, QoS, IPv6, UDP, Bonjour, SSL/TLS
API	ONVIF (PROFILE S, PROFILE G), ISAPI, SDK

Security	Password protection, complicated password, HTTPS encryption, 802.1X authentication (EAP-MD5), watermark, IP address filter, basic and digest authentication for HTTP/HTTPS, WSSE and digest authentication for ONVIF, TLS1.2
Simultaneous Live View	Up to 20 channels
User/Host	Up to 32 users. 3 user levels: administrator, operator and user
Client	iVMS-4200, Hik-Connect, Hik-Central
Web Browser	Plug-in required live view: IE8-11 Plug-in free live view: Mozilla Firefox52+
Interface	
Communication Interface	1 RJ45 10M/100M self-adaptive Ethernet port, optical interface FC -S: RS-485 (half duplex, HIKVISION, Pelco-P, Pelco-D, self-adaptive)
Audio (-S)	1 line in/out
Alarm (-S)	1 input, 1 output (max. 24 VDC, 1 A or 110 VAC 500 mA)
Video Out	1Vp-p Composite Output (75Ω/CVBS)
On-board Storage	Built-in micro SD/SDHC/SDXC slot, up to 256 GB <i>*You are recommended to purchase memory card together with the product if needed. After ordering, the memory card will be installed to product during manufacturing.</i>
General	
Firmware Version	V5.5.96
Web Client Language	32 languages. English, Russian, Estonian, Bulgarian, Hungarian, Greek, German, Italian, Czech, Slovak, French, Polish, Dutch, Portuguese, Spanish, Romanian, Danish, Swedish, Norwegian, Finnish, Croatian, Slovenian, Serbian, Turkish, Korean, Traditional Chinese, Thai, Vietnamese, Japanese, Latvian, Lithuanian, Portuguese (Brazil)
General Function	Anti-flicker, 5 streams and 5 custom streams, heartbeat, mirror, privacy mask, pixel counter
Reset	Reset via reset button on camera body, web browser and client software
Startup and Operating Conditions	-H model: -40 °C to +60 °C (-40 °F to +140 °F), humidity 95% or less (non-condensing) Without -H model: -30 °C to +60 °C (-22 °F to +140 °F), humidity 95% or less (non-condensing)
Storage Conditions	-30 °C to +60 °C (-22 °F to +140 °F), humidity 95% or less (non-condensing)
Power Supply	100 to 240 VAC, PoE (42.5 to 57 V, 802.3 at), terminal block
Power Consumption and Current	-L: 100 to 240 VAC, 0.4 A, max. 22 W; PoE (802.3at, 42.5 to 57 V), 0.55 to 0.45 A, max. 22 W -I: 100 to 240 VAC, 0.4 A, max. 18 W; PoE (802.3at, 42.5 to 57 V), 0.55 to 0.45 A, max. 18 W
Material	Stainless steel 316L & anti-corrosion coating
Heater	-H: Yes
Dimensions	Camera: 352 × 200 × 214 mm (13.6" × 7.9" × 8.4") With package: 438 × 283 × 303 mm (17.2" × 11.1" × 11.9")
Weight	Camera: 14 kg (37.5 lb.) With package: 15 kg (40.2 lb.)

Approval	
EMC	FCC: FCC-SDoC(ANSI C63.4,FCC Part15 sub B) CE: CE-EMC(EN 55024:2010 +A1:2015,EN 55032:2015,EN 61000-3-2:2014,EN 61000-3-3:2013) RCM: AS/NZS 60950.1:2003 + Am1, Am2 and Am3,AS/NZS CISPR 32:2015 IC: IC-VoC(ICES-003 Issue 7:2020)
Safety	UL: UL 60950-1:2014,CAN/CSA C22.2 No. 60950-1-07:2014 CB: IEC IEC 60079-0 CE: CE-LVD(EN 60950-1:2006+A11:2009+A1:2010+A12:2011+A2:2013) BIS: IS 13252(Part 1)2010+A1:2013+A2:2015
Anti-Corrosion	NEMA 4X(NEMA-250) C5
Protection	IP68 (IEC 60529-2013) Explosion-proof: ATEX: Ex II 2 G D Ex db IIC T6 Gb/Ex tb IIIC T80°C Db IP68 IECEX: Ex db IIC T6 Gb/Ex tb IIIC T80°C Db IP68 UL: Class I, Zone 1, AEx db IIC T6 Zone 21, AEx tb IIIC T80°C Ex db IIC T6 Gb X Ex tb IIIC T80°C Db X  Anti-Corrosion: NEMA 4X (NEMA 250-2014), C5 (ISO 6270-1, ISO 9227)
Explosion-proof Certificate	ATEX: Ex II 2 G D Ex db IIC T6 Gb/Ex tb IIIC T80°C Db IP68 IECEX: Ex db IIC T6 Gb/Ex tb IIIC T80°C Db IP68 For explosive gas atmospheres, the maximum surface temperature is 85 ° C; For flammable dust atmospheres, the maximum surface temperature is 80 ° C; IIC: for explosive gas atmospheres other than mines susceptible to firedamp; For explosive gas mixture atmospheres: Zone 1, Zone 2, Zone 21, Zone 22.

*You are recommended to purchase memory card together with the product if needed. After ordering, the memory card will be installed to product during manufacturing.

Available Model

DS-2XE6885G0-IZHS (2.8 to 12 mm), DS-2XE6885G0-LZHS (2.8 to 12 mm), DS-2XE6885G0-IZ (2.8 to 12 mm), DS-2XE6885G0-LZ (2.8 to 12 mm), DS-2XE6885G0-IZHS (8 to 32 mm), DS-2XE6885G0-LZHS (8 to 32 mm), DS-2XE6885G0-IZ (8 to 32 mm), DS-2XE6885G0-LZ (8 to 32 mm)

▪ Typical Application

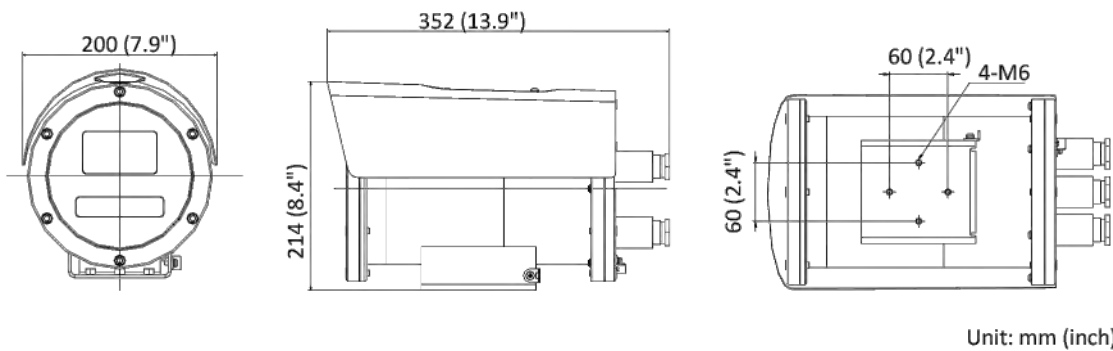
Hikvision products are classified into three levels according to their anti-corrosion performance. Refer to the following description to choose for your using environment.

This model has TOP-LEVEL SPECIFIC PROTECTION.

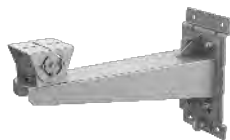
Level	Description
Top-level protection	Hikvision products at this level are equipped for use in areas where professional anti-corrosion

	protection is a must. Typical application scenarios include coastlines, docks, chemical plants, and more.
Moderate protection	Hikvision products at this level are equipped for use in areas with moderate anti-corrosion demands. Typical application scenarios include coastal areas about 2 kilometers (1.24 miles) away from coastlines, as well as areas affected by acid rain.
No specific protection	Hikvision products at this level are equipped for use in areas where no specific anti-corrosion protection is needed.

Dimension



Accessory



DS-1707ZJ-Y-AC (OS)
Wall Mount

Distributed by

**HIKVISION****Headquarters**

No.555 Qianmo Road, Binjiang District,
Hangzhou 310051, China
T +86-571-8807-5998
overseasbusiness@hikvision.com

Hikvision USA
T +1-909-895-0400
sales.usa@hikvision.com

Hikvision Australia
T +61-2-8599-4233
salesau@hikvision.com

Hikvision India
T +91-22-28469900
sales@pramahikvision.com

Hikvision Canada
T +1-866-200-6690
sales.canada@hikvision.com

Hikvision Thailand
T +662-275-9949
sales.thailand@hikvision.com

Hikvision Europe
T +31-23-5542770
sales.eu@hikvision.com

Hikvision Italy
T +39-0438-6902
info.it@hikvision.com

Hikvision Brazil
T +55 11 3318-0050
Latam.support@hikvision.com

Hikvision Turkey
T +90 (216)521 7070- 7074
sales.tr@hikvision.com

Hikvision Malaysia
T +601-7652-2413
sales.my@hikvision.com

Hikvision UK & Ireland
T +01628-902140
sales.uk@hikvision.com

Hikvision South Africa
Tel: +27 (10) 0351172
sale.africa@hikvision.com

Hikvision France
T +33(0)1-85-330-450
info.fr@hikvision.com

Hikvision Kazakhstan
T +7-727-9730667
nikia.panfilov@hikvision.ru

Hikvision Vietnam
T +84-974270888
sales.vt@hikvision.com

Hikvision UAE
T +971-4-4432090
salesme@hikvision.com

Hikvision Singapore
T +65-6684-4718
sg@hikvision.com

Hikvision Spain
T +34-91-737-16-55
info.es@hikvision.com

Hikvision Tashkent
T +99-87-1238-9438
uzb@hikvision.ru

Hikvision Hong Kong
T +852-2151-1761
info.hk@hikvision.com

Hikvision Russia
T +7-495-669-67-99
sateru@hikvision.com

Hikvision Korea
T +82-(0)31-731-8817
sales.korea@hikvision.com

Hikvision Poland
T +48-22-460-01-50
info.pl@hikvision.com

Hikvision Indonesia
T +62-21-2933759
Sales.Indonesia@hikvision.com

Hikvision Colombia
sales.colombia@hikvision.com