

## DS-2CE56D8T-ITMF 2 MP Ultra-Low Light EXIR Turret Camera



### Key Features

- 2 MP high performance CMOS
- Ultra-low light
- 1920 × 1080 resolution
- 2.8 mm, 3.6 mm, 6 mm fixed focal lens
- 130 dB true WDR, 3D DNR
- EXIR 2.0, smart IR, up to 30 m IR distance
- 4 in 1 video output (switchable TVI/AHD/CVI/CVBS)
- IP67
- Up the coax (HIKVISION-C)



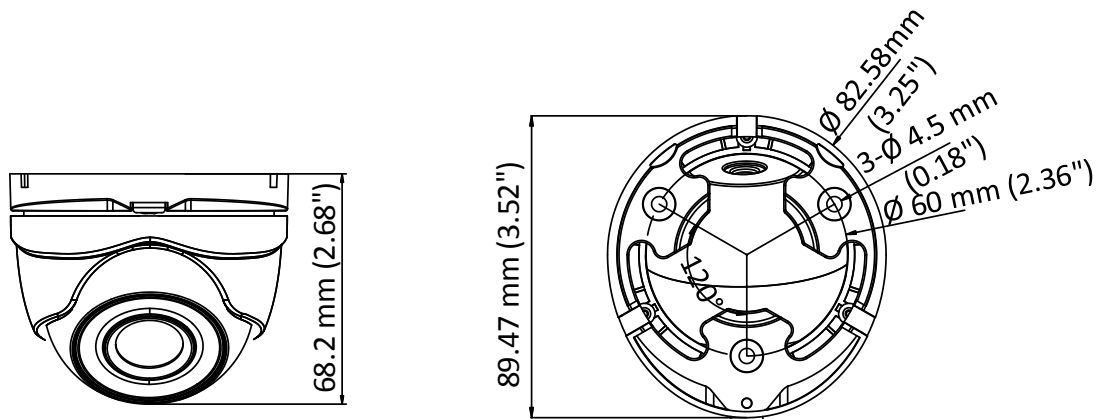
## Specification

| <b>Camera</b>            |   |
|--------------------------|---|
| Image Sensor             | 2.0 megapixel progressive scan CMOS   |
| Signal System            | PAL/NTSC  |
| Resolution               | 1920 (H) × 1080 (V)   |
| Frame Rate               | PAL: 1080p@25fps<br>NTSC: 1080p@30fps   |
| Min. illumination        | Color: 0.003 Lux @ (F1.2, AGC ON), 0 Lux with IR  |
| Shutter Time             | PAL: 1/25 s to 1/50, 000 s<br>NTSC: 1/30 s to 1/50, 000 s   |
| Lens                     | 2.8 mm, 3.6 mm, 6 mm, fixed lens  |
| Horizontal Field of View | 104° (2.8 mm), 79.1° (3.6 mm), 50.2° (6 mm)   |
| Lens Mount               | M12   |
| Day & Night              | IR cut filter   |
| WDR (Wide Dynamic Range) | ≥ 130 dB  |
| Angle Adjustment         | Pan: 0° to 360°, Tilt: 0° to 75°, Rotate: 0° to 360°  |
| <b>Menu</b>              |   |
| Image Mode               | STD/HIGH-SAT  |
| AGC                      | Support   |
| Day/Night Mode           | Auto/Color/BW (Black White)   |
| White Balance            | Auto/Manual   |
| AE (Auto Exposure) Mode  | WDR/BLC/HLC/Global  |
| Privacy Mask             | 4 programmable privacy masks  |
| Motion Detection         | 4 programmable motion areas   |
| NR (Noise Reduction)     | 3D/2D   |
| Language                 | English   |
| Functions                | Brightness, Sharpness, Mirror, Smart IR, HLC  |
| <b>Interface</b>         |   |
| Video Output             | Switchable TVI/AHD/CVI/CVBS   |
| <b>General</b>           |   |
| Operating Conditions     | -40 °C to 60 °C (-40 °F to 140 °F), humidity: 90% or less (non-condensation)                            |
| Power Supply             | 12 VDC ±25%<br><i>*You are recommended to use one power adapter to supply the power for one camera.</i> |
| Power Consumption        | Max. 3.4 W  |
| Ingress Protection       | IP67  |
| Material                 | Metal   |
| IR Range                 | Up to 30 m  |
| Communication            | Up the coax, Protocol: HIKVISION-C (TVI output)   |
| Dimensions               | 89.47 mm × 68.2 mm (3.52" × 2.68")  |
| Weight                   | Approx. 238 g (0.52 lb.)  |

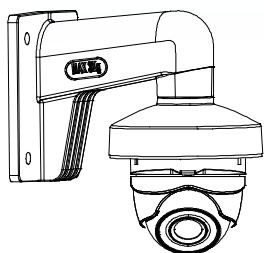
**Order Models**

DS-2CE56D8T-ITMF

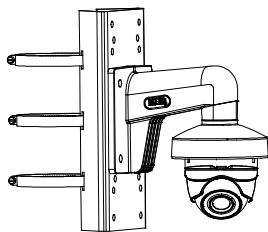
**Dimension**



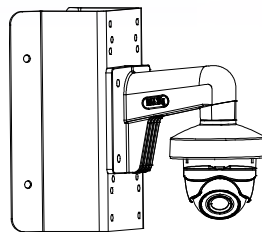
## Accessory



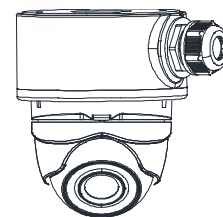
DS-1272ZJ-110-TRS  
Wall Mount



DS-1275ZJ-SUS  
Vertical Pole Mount



DS-1276ZJ-SUS  
Corner Mount



DS-1280ZJ-S  
Junction Box

Download to



## HIKVISION

### Headquarters

No.555 Dianmo Road, Binjiang District  
Hangzhou 310061, China  
T +86-571-8807-5998  
overseasbusiness@hikvision.com

**Hikvision USA**  
T +1-800-865-0400  
sales.usa@hikvision.com

**Hikvision Italy**  
T +39-0438-6002  
info.it@hikvision.com

**Hikvision Singapore**  
T +65-6504-6118  
sg@hikvision.com

**Hikvision Africa**  
T +27 (11) 0351178  
safa@hikvision.com

**Hikvision Europe**  
T +31-23-55-42-770  
info.eu@hikvision.com

**Hikvision France**  
T +33(0)1-85-330-450  
info.fr@hikvision.com

**Hikvision Oceania**  
T +61-2-9588-4233  
salesau@hikvision.com

**Hikvision Hong Kong**  
T +852-2151-1761

**Hikvision Middle East**  
T +971-4-8810086  
salesme@hikvision.com

**Hikvision Spain**  
T +34-91-737-18-55  
info.es@hikvision.com

**Hikvision Canada**  
T +1-800-895-0400  
sales.usa@hikvision.com

**Hikvision Russia**  
T +7-495-657-67-00  
info.ru@hikvision.com

**Hikvision Poland**  
T +48-22-460-01-50  
poland@hikvision.com

**Hikvision Korea**  
T +82-31-733-8881  
sales.korea@hikvision.com

**Hikvision India**  
T +91-22-26459000  
sales@pranahikvision.com

**Hikvision UK**  
T +01628-902140  
supportuk@hikvision.com

**Hikvision Brazil**  
T +55-11-3510-0050  
latam.support@hikvision.com