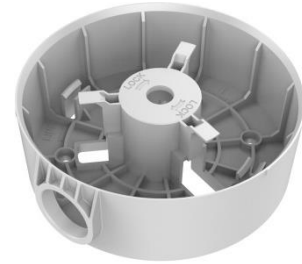


DS-1280ZJ-PT3

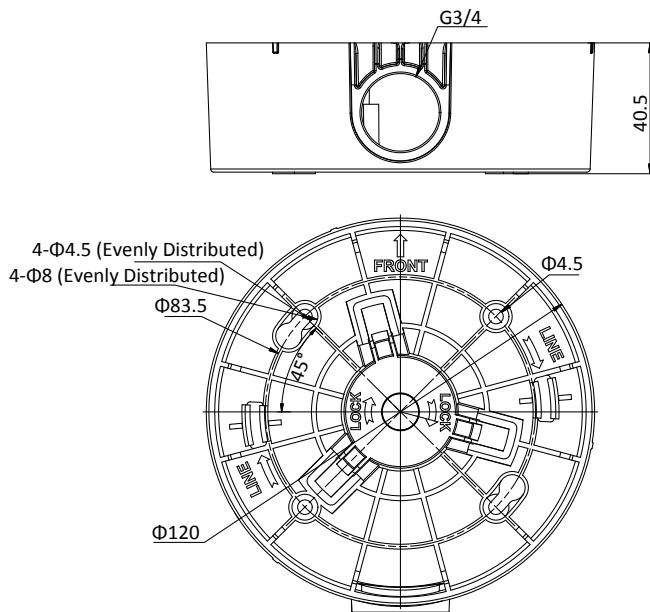
Junction Box for Dome Camera



Features

- Aluminum alloy material with surface spray treatment
- The camera can be fixed on the bracket directly
- Design of cap is for convenient wiring

Dimension



Available Model

DS-1280ZJ-PT3

Parameters

Model	DS-1280ZJ-PT3
Parameters	Junction Box for Dome Camera
Appearance	Hikvision White
Material	Plastics
Dimension	Φ120x40.5mm
Weight	105g

Notes

- The bracket should be installed on flat wall
- The wall must be capable of supporting over 3 times as much as the total weight of the camera and the mount.
- The maximum load capacity of the bracket is 2kg