

## DS-1674ZJ

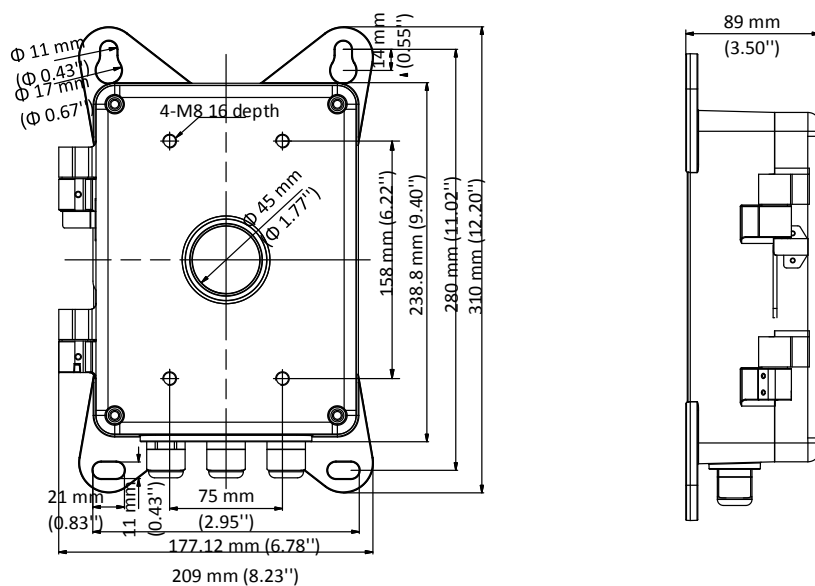
### Power Box



#### Features

- Aluminum alloy with surface spray treatment
- With cable outlet(s)
- Applies to both indoor conditions, and outdoor conditions

#### Dimension



#### Available Model

DS-1674ZJ

#### Parameter

Model	DS-1674ZJ
Parameters	Power Box
Appearance	Hikvision White
Material	Aluminum Alloy
Dimension	310 mm × 208.9 mm × 89 mm (12.20" × 8.22" × 3.50")
Weight	2380 g (5.25 lb.)

#### Notes

- The power box should be installed on the flat surface.
- Waterproof rubber is necessary for the outdoor application.
- The wall must be capable of supporting at least 3 times as much as the total weight of the camera, and the power box.
- The maximum load capacity of the power box is 10 kg (22.05 lb.).