

DS-1602ZJ-AKS

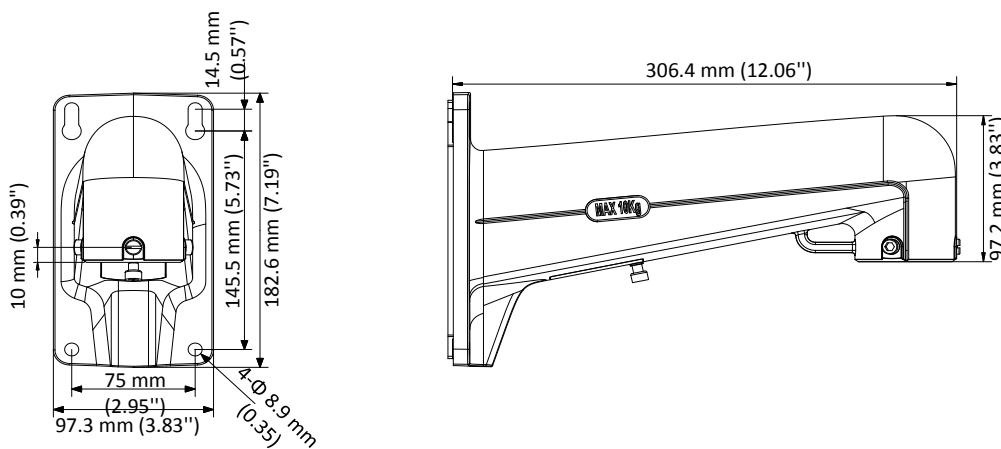
Wall Mount



Features

- Alloy with surface spray treatment
- Applied to both indoor conditions, and outdoor conditions
- With cable outlet(s)

Dimension



Available Model

DS-1602ZJ-AKS

Parameter

Model	DS-1602ZJ-AKS
Parameters	Wall Mount
Appearance	Hikvision White
Material	Alloy
Dimension	97.3 mm × 182.6 mm × 306.4 mm (3.83" × 7.19" × 12.06")
Weight	960 g (2.12 lb.)

Notes

- The mount should be installed on the flat surface.
- Waterproof rubber is necessary for the outdoor application.
- The wall should be capable of supporting at least 3 times as much as the total weight of the camera, and the mount.
- The maximum load capacity of the mount is 10 kg (22.05 lb.).