

## DS-7204HGHI-F1+2+2CAM 1MP TURBO HD KIT

### Key Feature

- H.264+/H.264 video compression
- Full channel recording at up to 1080p lite resolution
- Full channel synchronous real-time playback
- Hik-Connect app for easy network management



### Camera

- 1 MP high-performance CMOS
- smart IR, up to 20 m IR distance
- 1 Analog HD video output
- IP66

### DVR

- Connectable to HDTV/AVHD/CVI/CVBS/IP video signal
- Up to 5-ch IP camera input (up to 1080p)
- H.264+/H.264 encoding improves encoding efficiency and reduces data storage costs
- Simultaneous HDMI/VGA output at up to 1920 × 1080 resolution
- One SATA interface (up to 6 TB capacity per HDD)



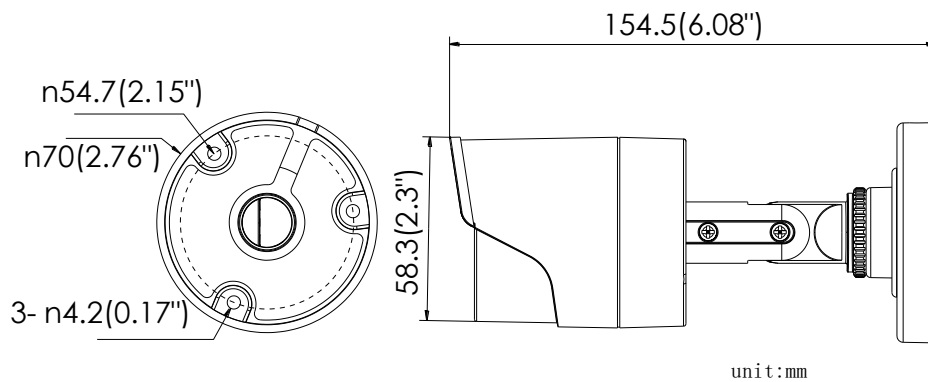
## Specification

<b>Kit model</b>		<b>DS-7204HGHI-F1+2+2CAM</b>
<b>DVR</b>		<b>DS-7204HGHI-F1</b>
<b>Video/ Audio input</b>	IP video input	1-ch (up to 5-ch)
		Up to 1080p resolution
		H.264+/H.264
	Analog video input	4-ch
		BNC interface (1.0 Vp-p, 75 Ω), supporting coaxitron connection
	Video input	HDTV/AVD/CVI/CVBS/IP
	Audio compression	G.711u
	Audio input/Two-way audio input	1-ch, RCA (2.0 Vp-p, 1 KΩ)
Encoding resolution	When 1080p Lite mode not enabled: 720p/WD1/4CIF/VGA/CIF When 1080p Lite mode enabled: 1080p lite/720p/WD1/4CIF/VGA/CIF	
Frame rate	Main stream: When 1080p Lite mode not enabled: For 720p stream access: 720p/WD1/4CIF/VGA/CIF@25fps(P)/30fps(N) When 1080p Lite mode enabled: 1080p lite/720p/WD1/4CIF/VGA/CIF@25fps(P)/30fps(N)	
	Sub-stream: 2CIF@6fps; CIF/QVGA/QCIF@25fps(P)/30fps(N)	
<b>Hard disk</b>	SATA	1 SATA interface
	Capacity	Up to 6 TB capacity for each disk
<b>External interface</b>	HDMI/VGA output	1-ch, 1920 × 1080/60Hz, 1280 × 1024/60Hz, 1280 × 720/60Hz, 1024 × 768/60Hz HDMI and VGA simultaneous output
	Network interface	1, RJ45 10/100 Mbps self-adaptive Ethernet interface
	USB interface	Rear panel: 2 × USB 2.0
<b>General</b>	Operating condition	- 10 °C to 55 °C (14 °F to 131 °F), Humidity: 10% to 90%
	Dimension (W × D × H)	260 × 222 × 45 mm (10.2 × 8.7 × 1.8 inch)
	Weight	≤ 1 kg (2.2 lb)
<b>Camera</b>		<b>DS-2CE16C0T-IRP</b> <b>DS-2CE56C0T-IR</b>
<b>Image Sensor</b>		1 MP CMOS image sensor
<b>Lens</b>		70.9°, 3.6 mm
<b>IR range</b>		Up to 20 m
<b>Power consumption</b>		Max. 4 W

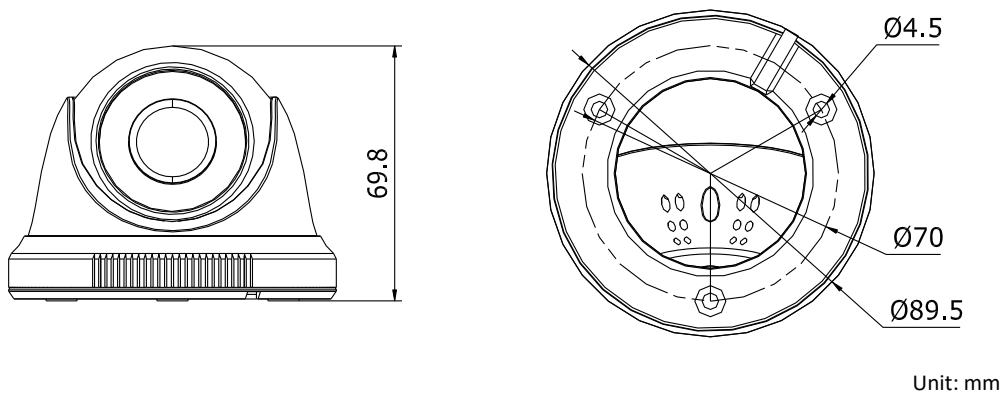
<b>Protection level</b>		IP66
<b>Operating condition</b>		-40 °C to 60 °C (-40 °F to 140 °F), Humidity: 90% or less (non-condensation)
<b>Dimension (W × D × H)</b>		Φ70 × 149.5 mm (Φ2.76 × 5.89 inch)      Φ89.5 × 69.8 mm (Φ3.52 × 2.75 inch)
<b>Weight</b>		300 g (0.66 lb)      280 g (0.62 lb)
<b>Kit</b>	<b>DS-7204HGHI-F1+2+2CAM</b>	
<b>DVR</b>	1 × DS-7204HGHI-F1	
<b>Camera</b>	2 × DS-2CE16C0T-IRP	
	2 × DS-2CE56C0T-IR	
<b>Accessory</b>	Power	1 × power transfer cable
	Cable	4 × 18 m (59 ft) video cable
<b>Weight</b>		≤ 3.1 kg (6.9 lb)

## Camera Dimension

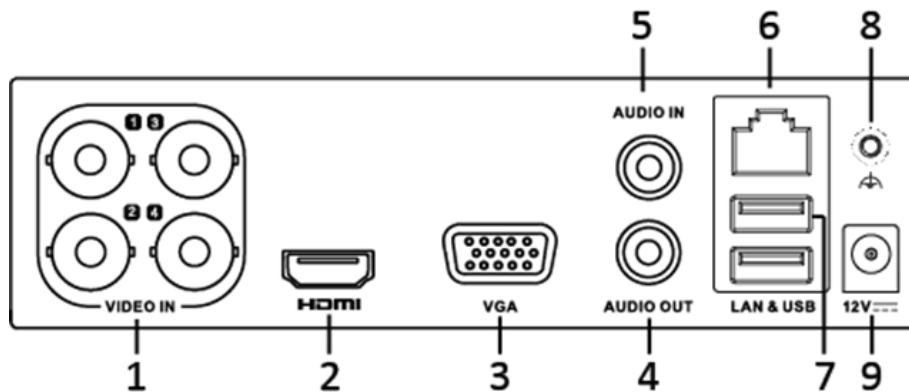
For DS-2CE16C0T-IRP



For DS-2CE56C0T-IR



## DVR Physical Interface



No.	Description	No.	Description
1	VIDEO IN	6	LAN Network Interface
2	HDMI Interface	7	USB Interfaces
3	VGA Interface	8	GND
4	AUDIO OUT, RCA Connector	9	12 VDC Power Input
5	AUDIO IN, RCA Connector		

## Available Model

DS-7204HGHI-F1+2+2CAM

Distributed by



### Headquarters

No.555 Qianmo Road, Binjiang District,  
Hangzhou 310051, China  
T +86-571-8807-5998  
overseasbusiness@hikvision.com

**Hikvision USA**  
T +1-909-895-0400  
sales.usa@hikvision.com

**Hikvision Italy**  
T +39-0438-6902  
info.it@hikvision.com

**Hikvision Singapore**  
T +65-6684-4718  
sg@hikvision.com

**Hikvision Africa**  
T +27 (10) 0351172  
sale.africa@hikvision.com

**Hikvision Europe**  
T +31-23-55-42-770  
info.eu@hikvision.com

**Hikvision France**  
T +33(0)1-85-330-450  
info.fr@hikvision.com

**Hikvision Oceania**  
T +61-2-8599-4233  
salesau@hikvision.com

**Hikvision Hong Kong**  
T +852-2151-1761

**Hikvision Middle East**  
T +971-4-8816086  
salesme@hikvision.com

**Hikvision Spain**  
T +34-91-737-16-55  
info.es@hikvision.com

**Hikvision Canada**  
T +1-909-895-0400  
sales.usa@hikvision.com

**Hikvision Russia**  
T +7-495-669-67-99  
saleru@hikvision.com

**Hikvision Poland**  
T +48-22-460-01-50  
poland@hikvision.com

**Hikvision Korea**  
T +82-31-731-8841  
sales.korea@hikvision.com

**Hikvision India**  
T +91-22-28469900  
sales@pramahikvision.com

**Hikvision UK**  
T +01628-902140  
support.uk@hikvision.com

**Hikvision Brazil**  
T +55 11 3318-0050  
Latam.support@hikvision.com

0100001091030