

DS-KAB34X-S1
Protective Shield



- Protective shield for DS-K1T341A/C and DS-K1T342 series Face Recognition Terminal.

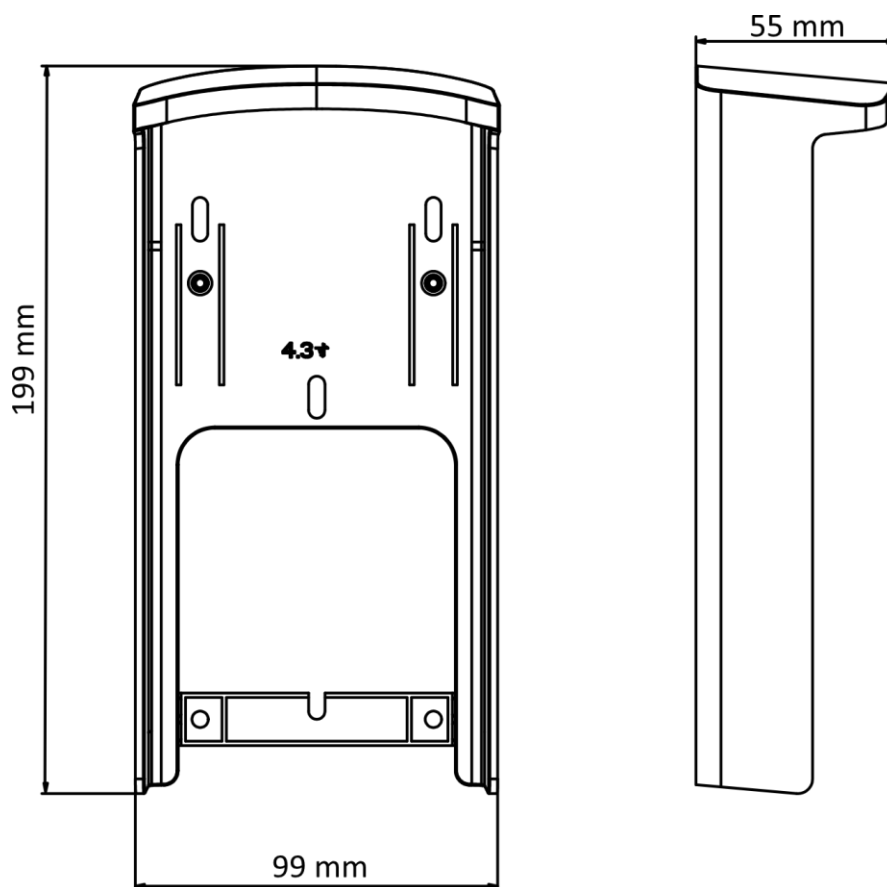
▪ Specification

General	
Dimensions	99.4 mm × 55 mm × 199.3 mm (3.9" × 2.2" × 7.8")
Weight	89 g (0.2 lb)
Material	PC

▪ Available Model

DS-KAB34X-S1

▪ Dimension



Headquarters

No.555 Qianmo Road, Binjiang District,
Hangzhou 310051, China
T +86-571-8807-5998
www.hikvision.com



Follow us on social media to get the latest product and solution information.

